



G·APEX

HEAT SHRINK TUBING AND ACCESSORIES

G·APEX

G·APEX

台灣雲林應用材料股份有限公司

Taiwan Yun Lin Applied Materials Co., Ltd.

No. 361-1, Sec. 1, Shanjiao Road., Yuanlin City, Changhua County, Taiwan 510

T : +886-4-8381860 / F : +886-4-8381915 / E : sales@g-apex.com.tw

<https://www.g-apex.com.tw>



Taiwan Yun Lin Applied Materials Co., Ltd.



企業簡介 Company Profile

For over 20 years, G-APEX has been focused on research and development the new materials and products in the fields of heat shrink, cold shrink tubing, and tapes. To solve the requirement of quality, safety, cost reduction, and services for the market. Providing solutions of electrical insulation and sealing protection applications for different industries.

Production: 50 million meters of monthly production capabilities of heat shrinkable tubing, the strongest product supplying abilities.

Technology: 21 patents and professional R&D team.

Certification: ISO9001、UL、ROHS、REACH、ISO10993、ISO14001、IATF16949, providing a reliable quality guarantee.

Services: Mass storage of products and our service staff in Taiwan, Japan, Thailand, Vietnam, and China, providing the fastest ship out and instant services.

Under our team structure, we're confident to fulfill all your inquiries.

G-APEX 20年來長期致力在熱縮套管、冷縮套管、膠帶領域研究開發新材料及產品，解決市場對品質、安全性、成本降低及服務的需求，提供了不同行業電氣絕緣及密封保護應用解決方案。

生產：熱縮套管月產能5千萬米，提供強大的供貨能力。

技術：21項專利技術及專業的工程研發團隊。

認證：ISO9001、UL、ROHS、REACH、ISO10993、ISO14001、IATF16949提供可靠的品質保證。

服務：台灣、日本、泰國、越南、中國各地提供大量產品庫存倉儲及服務人員，提供最快速的發貨及服務。在整體的團隊架構下，我們很自信可以完成對您的需求所託。



目錄 CONTENTS

薄壁熱縮套管 THIN WALL HEAT SHRINK TUBING

- G5 通用型熱縮套管**
General purpose, flame retardant heat shrink tubing
- G5-CB 超薄型熱縮套管**
Ultra thin wall, flame retardant heat shrink tubing
- G1 無阻燃型熱縮套管**
Non flame retardant heat shrink tubing
- G5-3X 高收縮倍率熱縮套管**
High shrink ratio heat shrink tubing
- G5-135 135°C 阻燃型熱縮套管**
135°C Flame retardant heat shrink tubing
- G5-YG 接地標示用黃綠熱縮套管**
Yellow & Green striped heat shrink tubing
- GA 耐磨型PE熱縮套管**
Abrasion-resistant PE heat shrink tubing
- YLPET PET熱縮套管**
PET heat shrink tubing
- DR 150°C 耐油熱縮套管**
150°C Diesel resistant elastomeric heat shrinkable tubing

含膠型熱縮套管 ADHESIVE-LINED HEAT SHRINK TUBING

- AIS 雙壁含膠型熱縮套管**
Dual wall heat shrink tubing
- AIS-ES 車用線束含膠熱縮套管**
Adhesive heat shrinkable tubing for automotive
- AECM 迷你電線防水封帽**
Miniature waterproof cable end cap
- ATM 通用型中壁含膠熱縮套管**
Medium wall heat shrink tubing
- ATM-FR 通用型中壁阻燃含膠熱縮套管**
Flame retardant medium wall heat shrink tubing
- AOS 柔軟型中壁含膠熱縮套管**
Flexible medium wall heat shrink tubing
- ABS 防水端子用熱縮套管**
Watertight tube for terminals and crimp splices
- ASM 通用型厚壁含膠熱縮套管**
Heavy wall heat shrink tubing
- ASM-6X 六倍收縮厚壁熱縮套管**
Heavy wall high shrink ratio heat shrink tubing

耐高溫熱縮套管 HIGH TEMPERATURE RESISTANT HEAT SHRINK TUBING

- HTK150 柔軟型PVDF熱縮套管**
Flexible PVDF heat shrinkable tubing
- KYNAR 半硬型PVDF熱縮套管**
Semi-rigid PVDF heat shrinkable tubing
- VITON 氟橡膠熱縮套管**
Fluoroelastomer heat shrinkable tubing
- FEP 200°C FEP熱縮套管**
200°C FEP heat shrinkable tubing
- PTFE 260°C PTFE熱縮套管**
260°C PTFE heat shrinkable tubing
- PFA 260°C PFA熱縮套管**
260°C PFA heat shrinkable tubing

醫療等級熱縮套管 MEDICAL-GRADE HEAT SHRINKABLE TUBING

- MTA 醫療級半硬質PVDF熱縮套管**
Medical grade semi-rigid PVDF heat shrinkable tubing
- MT2 醫療級超薄型LDPE熱縮套管**
Medical grade ultra thin wall LDPE heat shrinkable tubing
- MTC 醫療級柔軟型PVDF熱縮套管**
Medical grade flexible PVDF heat shrinkable tubing
- MTE 醫療級LDPE熱縮套管**
Medical grade LDPE heat shrinkable tubing
- MTF 醫療級高柔軟性熱縮套管**
Medical grade high flexibility heat shrinkable tubing

冷縮套管 COLD SHRINK TUBING

- ANC 矽矽橡膠冷縮套管**
Cold shrink silicone rubber sleeve
- GNC 矽矽橡膠冷縮套管**
Cold shrink silicone rubber sleeve
- NS7 矽矽橡膠握把冷縮套管**
Cold shrink silicone rubber sleeve for handle
- NS8 EPDM橡膠握把保護冷縮套管**
Cold shrink EPDM rubber sleeve for handle
- EEC EPDM橡膠冷縮封帽**
Cold shrink EPDM rubber end cap
- ENC EPDM 橡膠冷縮套管**
Cold shrink EPDM rubber sleeve
- DNC 矽矽橡膠雙層冷縮套管**
Dual layer cold shrink silicone rubber sleeve

編織網管 BRAIDED SLEEVING

- BS5000 編織熱縮套管**
Fabric heat shrinkable tubing
- BS1000 PET 半剛性捲式編織管**
PET semi-rigid wrappable split braided sleeving
- BS3000 汽車線束用捲式編織管**
Wrap around braided sleeving for automotive wire assembly
- BSPET PET 編織擴充管**
PET expandable braided sleeving

電線連接用熱縮套管 ELECTRICAL INTERCONNECT HEAT SHRINKABLE TUBING

- GAST-R 125°C 防水焊錫環熱縮中接管**
125°C Solder sleeve wire splices
- GAST-B 125°C 防水焊錫環熱縮中接管**
125°C Solder sleeve wire splices
- GAST-RS 125°C 防水焊錫環熱縮中接管**
125°C Solder sleeve wire splices
- CRIMP 防水熱縮中接管**
Waterproof heat shrinkable crimp splices
- GAST-E 防水焊錫環熱縮封帽**
Solder grip closed end connector splices

高壓絕緣熱縮套管 HIGH VOLTAGE INSULATION HEAT SHRINK TUBING

- HB1 高壓母排熱縮套管 (耐壓3.6kV)**
Busbar insulating heat shrink tubing (Withstand voltage up to 3.6kV)
- HB2 高壓母排熱縮套管 (耐壓24kV)**
Busbar insulating heat shrink tubing (Withstand voltage up to 24kV)
- HB3 高壓母排熱縮套管 (耐壓36kV)**
Busbar insulating heat shrink tubing (Withstand voltage up to 36kV)

熱縮模塑套件 MOULDED SHAPES

- BOOT 模縮套**
Molded parts
- AEC 電纜防水熱縮封帽**
Heat shrinkable cable end cap

光纖用熱縮套管 FIBER OPTICAL HEAT SHRINKABLE TUBING

- ADW 光纖接續盒專用防水熱縮套管**
Heat shrinkable tubing for fiber optic splice closure
- FOSP 光纖保護套管**
Heat shrinkable fiber optic splice protector
- FOSP-K 高溫光纖保護套管**
High-temperature optical fiber protection sleeve

膠帶 TAPE

- WT800 自融性防水膠帶**
Rubber mastic tape
- WT200 自融性防水膠帶**
Rubber mastic tape
- WT300 自融性絕緣填縫膠膏帶**
Self-fusing insulation caulking mastic tape
- HBT 耐電壓矽膠膠帶 (耐壓15~24kV)**
High voltage silicone busbar insulation tape (Withstand voltage up to 15~24kV)

熱縮套管組合包 ASSORTMENT KIT

- K1-101 熱縮套管組裝盒**
Heat shrinkable tubing kit
- K1-102 熱縮套管組裝盒**
Heat shrinkable tubing kit
- K1-201 熱縮套管組裝盒**
Heat shrinkable tubing kit
- K1-301 熱縮套管組裝盒**
Heat shrinkable tubing kit
- K2-101 熱縮套管組裝盒**
Heat shrinkable tubing kit
- K2-102 熱縮套管組裝盒**
Heat shrinkable tubing kit
- K2-103 熱縮套管組裝盒**
Heat shrinkable tubing kit
- K4-101 熱縮套管組裝盒**
Heat shrinkable tubing kit
- K5-101 熱縮套管組裝盒**
Heat shrinkable tubing kit
- K6-101 熱縮套管組裝盒**
Heat shrinkable tubing kit
- K7-101 熱縮套管組裝盒**
Heat shrinkable tubing kit
- K7-201 熱縮套管組裝盒**
Heat shrinkable tubing kit
- B2 熱縮套管捲式包 (紙盒)**
Tube and sleeve - mini box
- R2 熱縮套管圓形泡殼包裝**
Tube and sleeve - blister pack
- GR 熱縮套管捲式包裝**
Heat shrinkable tubing pack - mini spool pack

號碼標識系統 MARKING SYSTEMS

- 135°C TMS 軌道式號碼標示印字熱縮套管**
Heat shrink markers
- 125°C TMS 軌道式號碼標示印字熱縮套管**
Heat shrink markers
- 135°C CTMS 捲式號碼標示印字熱縮套管**
Heat shrink markers
- 125°C CTMS 捲式號碼標示印字熱縮套管**
Heat shrink markers
- MP 貼紙簿**
Pocket pack marker book
- MO 號碼標誌器**
Snap-on wire markers
- MH PVC熱縮電線標示號碼圈**
PVC Heat shrinkable wire marking number ring

工具 TOOL

- GHG 微型熱風槍**
Gas heat gun
- BSC 熱裁切機**
Hot knife device

**ELECTRICAL INTERCONNECT
HEAT SHRINKABLE TUBING**
電線連接用熱縮套管



ELECTRICAL INTERCONNECT HEAT SHRINKABLE TUBING

ELECTRICAL INTERCONNECT HEAT SHRINKABLE TUBING

GAST-R

125°C Solder sleeve wire splices 125°C 防水焊錫環熱縮中接管



Product Dimensions
產品規格

● 應用 Applications

GAST-R外層為透明聚烯烴熱縮管，內層為易辨識尺寸的帶色熱熔膠環及環保錫環製作而成。產品設計為熱縮管對電線外層的保護、錫環對電線的焊接、熱熔膠環對熱縮管封口處的密封，能在一次加熱步驟完成所有的連接保護，簡單的施工方式可降低安裝成本。

Outer layer of GAST-R is a transparent polyolefin heat shrink tube, and the inner layer is made of a colored, the easy-to-identify dimension hot melt rubber ring and an environmentally friendly tin ring. Designs of this product is heat shrinkable tube protection for the outer layer of wires, the tin ring welding to the cables, and the sealing of the hot melt adhesive ring on both ends of heat-shrink tube. All connection protection can be completed in one heating process, a simple construction method can reduce installation cost.

● 特性 Characteristics

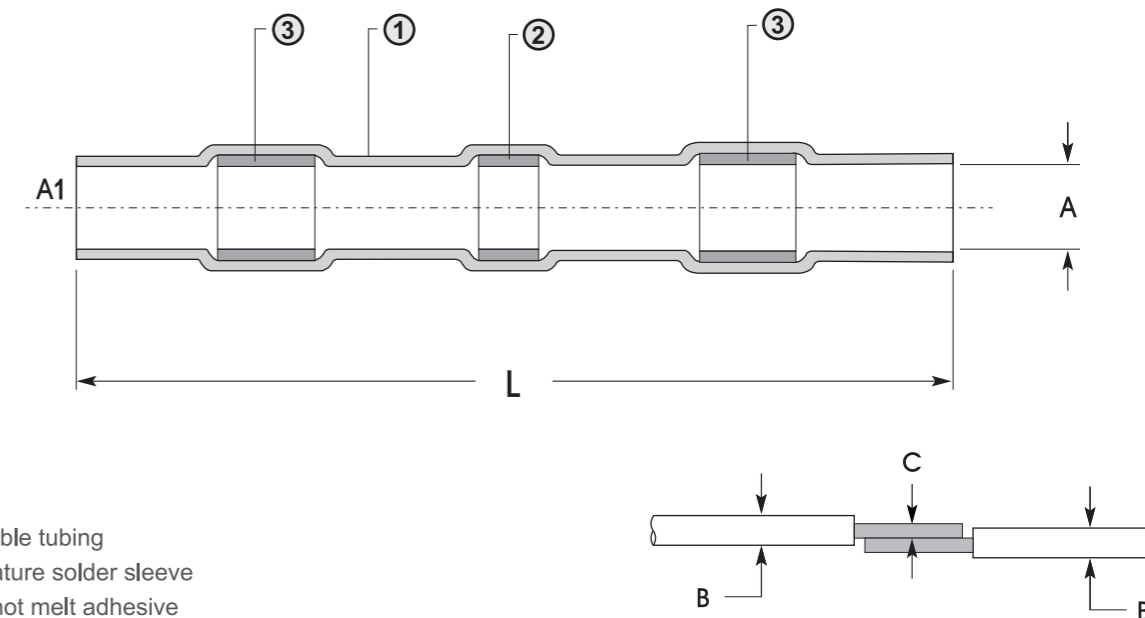
- 收縮率2:1
- 含熱熔膠具防水功能
- 熱熔膠顏色標示適用尺寸
- 焊錫環設計容易施工
- 符合RoHS
- Shrink ratio: 2:1
- Hot melt adhesive provides waterproof function
- The color of hot melt adhesive indicates the applicable dimension
- Solder sleeve design makes the soldering process easier
- Compliance with RoHS

● 操作溫度範圍 Operating temperature range

- Continuous operating temperature: -55°C ~ 125°C
- Minimum shrink temperature: 80°C
- Full recovery temperature: Above 110°C
- Full melting temperature of solder: 160°C
- 連續使用溫度：-55°C~125°C
- 最低收縮溫度：80°C
- 完全收縮溫度：110°C以上
- 焊錫完全熔解溫度：160°C



| 單環系列 Single ring | | | | | | |
|------------------|------------------------------|---------|---------------------------|---------|----------------------------------|----------------|
| Part Number | Product Dimensions (mm) 產品規格 | | Wire Dimensions (mm) 線徑規格 | | Wire Range 線徑範圍 | Standard Color |
| 產品型號 | A (min) | L (max) | B(max) | C (min) | mm ² (AWG) min-max | 標準顏色 |
| GAST-R01 | 1.7 | 28.0 | 1.7 | 0.76 | 0.3-0.8(22-18) | White 白 |
| GAST-R02 | 2.7 | 42.0 | 2.7 | 1.5 | 0.8-2.0(18-14) | Red 紅 |
| GAST-R03 | 4.5 | 42.0 | 4.5 | 2.0 | 2.0-4.0(14-11) | Blue 藍 |
| GAST-R04 | 6.0 | 42.0 | 6.0 | 3.0 | 4.0-6.0(11-09) | Yellow 黃 |
| 雙環系列 Dual ring | | | | | | |
| Part Number | Product Dimensions (mm) 產品規格 | | Wire Dimensions (mm) 線徑規格 | | Wire Range 線徑範圍 | Standard Color |
| 產品型號 | A (min) | L (max) | B(max) | C (min) | mm ² (AWG) min-max | 標準顏色 |
| GAST-DR01 | 1.7 | 28.0 | 1.7 | 0.76 | 0.3-0.8(22-18) | White 白 |
| GAST-DR02 | 2.7 | 42.0 | 2.7 | 1.5 | 0.8-2.0(18-14) | Red 紅 |
| GAST-DR03 | 4.5 | 42.0 | 4.5 | 2.0 | 2.0-4.0(14-11) | Blue 藍 |
| GAST-DR04 | 6.0 | 42.0 | 6.0 | 3.0 | 4.0-6.0(11-09) | Yellow 黃 |



- ① 熱收縮套管
- ② 低溫焊錫環
- ③ 防水熱熔膠
- ① Heat shrinkable tubing
- ② Low temperature solder sleeve
- ③ Waterproof hot melt adhesive

Technical Data

| Property | Test Method | Typical Value |
|-----------------------|-------------|---------------|
| Dielectric strength | ASTM D2671 | 2.0 kV/mm |
| Composition of solder | - | Sn/Bi |

Standard colors : red, blue, yellow, and white

標準顏色：紅、藍、黃、白
● ● ● ●

ELECTRICAL INTERCONNECT HEAT SHRINKABLE TUBING

GAST-B

125°C Solder sleeve wire splices 125°C 防水焊錫環熱縮中接管



Product Dimensions
產品規格

● 應用 Applications

以透明聚烯烴製成，帶色熱熔膠環便於辨識使用的尺寸，錫環材質有良好的熔解速度及焊接效果，提供最便利性的操作。產品設計為熱縮管對電線外層的保護、錫環對電線的焊接、熱熔膠環對熱縮管封口處的密封，能在一次加熱步驟即完成所有作業，簡單的施工方式可降低安裝成本。

It is made of transparent polyolefin, and the size used is easy to identify by colored hot melt adhesive. The material of solder sleeve has good melting speed and soldering effect, providing the most convenient operation. The product is designed for the protection on the outer layer of wires by heat shrinkable tubing, the soldering between the solder sleeve and the wire and the sealing function of hot melt adhesive at the seal of heat shrinkable tubing. All operations can be completed in one heating step, and the simple operation method lowers the installed cost.

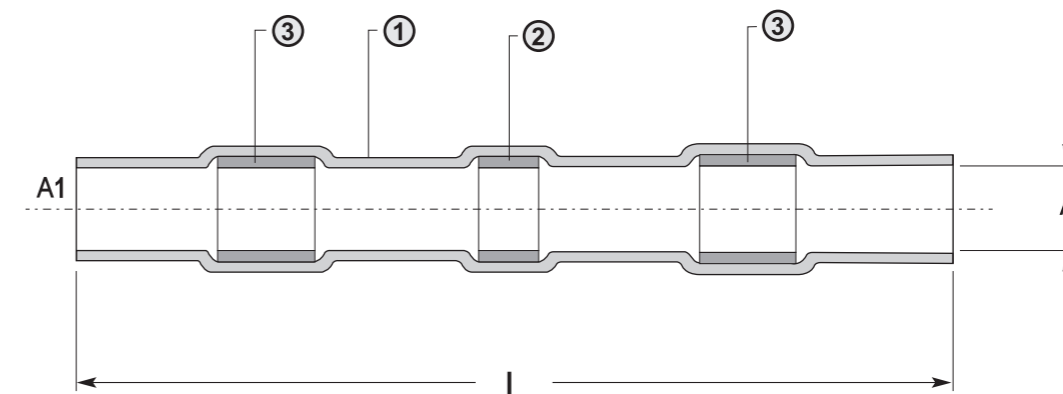
● 特性 Characteristics

- 收縮率：2:1
- 含熱熔膠具防水功能
- 熱熔膠顏色標示適用尺寸
- 焊錫環設計容易施工
- Shrink ratio: 2:1
- Hot melt adhesive provides waterproof function
- The color of hot melt adhesive indicates the applicable dimension
- Solder sleeve design makes the soldering process easier

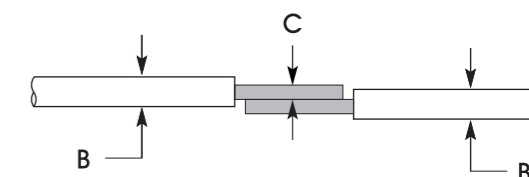
● 操作溫度範圍 Operating temperature range

- Continuous operating temperature: -55°C~125°C
- Minimum shrink temperature: 80°C
- Full recovery temperature: Above 110°C
- Full melting temperature of solder: 138°C
- 連續使用溫度：-55°C~125°C
- 最低收縮溫度：80°C
- 完全收縮溫度：110°C以上
- 焊錫完全熔解溫度：138°C

| Part Number | Product Dimensions (mm) 產品規格 | | Wire Dimensions (mm) 線徑規格 | | Wire Range 線徑範圍 | Standard Color |
|-------------|------------------------------|---------|---------------------------|---------|----------------------------------|----------------|
| 產品型號 | A (min) | L (max) | B (max) | C (min) | mm ² (AWG) min-max | 標準顏色 |
| GAST-B01 | 1.7 | 26.5 | 1.7 | 0.76 | 0.3-0.8(22-18) | White 白 |
| GAST-B02 | 2.7 | 41.5 | 2.7 | 1.5 | 0.8-2.0(18-14) | Red 紅 |
| GAST-B03 | 4.5 | 41.5 | 4.5 | 2.0 | 2.0-4.0(14-11) | Blue 藍 |
| GAST-B04 | 6.0 | 41.5 | 6.0 | 3.0 | 4.0-6.0(11-09) | Yellow 黃 |



- ① 熱收縮套管
- ② 低溫焊錫環
- ③ 防水熱熔膠
- ① Heat shrinkable tubing
- ② Low temperature solder sleeve
- ③ Waterproof hot melt adhesive



Technical Data

| Property | Test Method | Typical Value |
|-----------------------|-------------|---------------|
| Dielectric strength | ASTM D2671 | 2.0 kV/mm |
| Composition of solder | - | Sn/Pb/Bi |

Standard colors : red, blue, yellow, and white

標準顏色：紅、藍、黃、白
● ● ● ●

ELECTRICAL INTERCONNECT HEAT SHRINKABLE TUBING

GAST-RS

125°C Solder sleeve wire splices
125°C防水焊錫環熱縮中接管



Product Dimensions
產品規格

● 應用 Applications

結構為外層環保聚烯烴熱縮管，內層EVA熱熔膠環及環保錫環製作而成的組件。提供電線與電線對接，透明外層利於清晰辨識電線的連接操作。產品設計為錫環對電線的焊接、外層熱縮管對電線連接處的保護、熱熔膠環對熱縮管封口處的密封具良好的防水功能，一次施工可以完成導線所有的連接保護，簡單的施工方式可降低安裝成本。

It's a component which the outer layer is made of environmental friendly polyolefin heat shrinkable tubing and the inner layer is made of EVA hot melt adhesive and environmental friendly solder sleeve.

It provides wire-to-wire splicing and the transparent outer layer facilitates clear identification of wire connections. The product is designed for the soldering between the solder sleeve and the wire, the protection on wire splices by outer heat shrinkable tubing and excellent waterproof sealing function of hot melt adhesive at the seal of heat shrinkable tubing. All connection protection of wires can be completed in a single step, and the simple operation method lowers the installed cost.

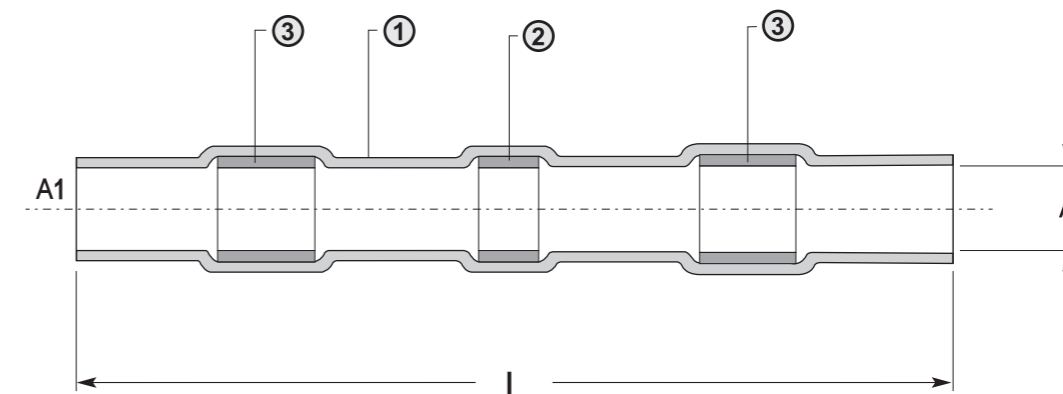
● 特性 Characteristics

- 收縮率：2:1
- 含熱熔膠具防水功能
- 焊錫環設計容易施工
- 符合RoHS
- Shrink ratio: 2:1
- Hot melt adhesive provides waterproof function
- Solder sleeve design makes the soldering process easier
- Compliance with RoHS

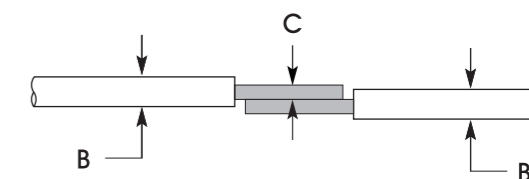
● 操作溫度範圍 Operating temperature range

- Continuous operating temperature: -55°C~125°C
- Minimum shrink temperature: 80°C
- Full recovery temperature: Above 110°C
- Full melting temperature of solder: 160°C
- 連續使用溫度：-55°C~125°C
- 最低收縮溫度：80°C
- 完全收縮溫度：110°C以上
- 焊錫完全熔解溫度：160°C

| Part Number | Product Dimensions (mm) 產品規格 | | Wire Dimensions (mm) 線徑規格 | | Wire Range 線徑範圍 | Standard Color |
|-------------|------------------------------|---------|---------------------------|---------|----------------------------------|----------------|
| 產品型號 | A (min) | L (max) | B(max) | C (min) | mm ² (AWG) min-max | 標準顏色 |
| GAST-RS03 | 2.4 | 25.5 | 2.4 | 1.5 | 0.8-2.0(18-14) | Blue 藍 |
| GAST-RS05 | 4.4 | 28.5 | 4.4 | 2.0 | 2.0-4.0(14-11) | Blue 藍 |
| GAST-RS07 | 6.5 | 32.5 | 6.5 | 3.3 | 4.0-6.0(11-09) | Blue 藍 |
| GAST-RS09 | 8.2 | 35.5 | 8.2 | 4.0 | 8.0-13.0(08-06) | Blue 藍 |
| GAST-RS11 | 10.7 | 35.5 | 10.7 | 5.5 | 13.0-21.0(06-04) | Blue 藍 |
| GAST-RS13 | 13.2 | 47.0 | 13.2 | 7.0 | 26.0-42.0(03-01) | White 白 |



- ① 熱收縮套管
- ② 低溫焊錫環
- ③ 防水熱熔膠
- ① Heat shrinkable tubing
- ② Low temperature solder sleeve
- ③ Waterproof hot melt adhesive



Technical Data

| Property | Test Method | Typical Value |
|-----------------------|-------------|---------------|
| Dielectric strength | ASTM D2671 | 2.0 kV/mm |
| Composition of solder | - | Sn/Bi |

Standard colors : blue and white

標準顏色：藍、白
● ○



ELECTRICAL INTERCONNECT HEAT SHRINKABLE TUBING

CRIMP

Waterproof heat shrinkable crimp splices
防水熱縮中接管



Product Dimensions
產品規格

● 應用 Applications

CRIMP是由聚烯烴經塗膠生產而成的熱收縮中接管，用於保護連接、防水、防腐蝕。可以在粗糙的環境中加強固定和防震動，具有很好的絕緣保護電子連接器的功能。與常規的連接器相比，具有耐久性、易於安裝、安裝成本低的優勢。

CRIMP is a heat shrinkable crimp splice produced by polyolefin with inner adhesive coated, and is used for the connection protection, water resistance and anti-corrosion. Can be fixed strongly and protects against vibration in rugged environments, and with good insulation protection for electronic connectors. Compared with conventional connectors, it has the advantages of durability, easy installation and a low installed cost.

● 操作溫度範圍 Operating temperature range

- Continuous operating temperature: -55°C~125°C
- Minimum shrink temperature: 80°C
- Full recovery temperature: Above 130°C
- 連續使用溫度：-55°C~125°C
- 最低收縮溫度：80°C
- 完全收縮溫度：130°C以上

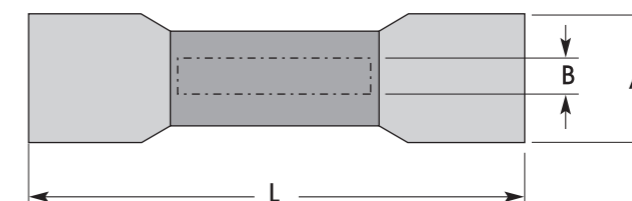
● 特性 Characteristics

- 收縮率：3:1
- Polyamide熱熔膠提供優異的防水性能
- 材料優異的延伸性能，抗機械損害
- 良好的抗拉力
- Shrink ratio: 3:1
- Polyamide hot melt adhesive provides excellent waterproof property
- Excellent ductility and mechanical damage resistance
- Excellent tensile strength

Approvals / Specifications 認證 / 規範

UL US UL486C File no. E359300

| Heat shrinkable butt splice connectors 熱收縮中接管 | | | | | |
|---|------------------------|-----------------|----|-----------------|----------------|
| Part Number | Nominal Size 公稱尺寸 (mm) | | | Wire Range 線徑範圍 | Standard Color |
| 產品型號 | A | B | L | AWG (mm²) | 標準顏色 |
| GBS-1 | 4.8 | 1.7 | 35 | 22-18 (0.5-1.0) | Red 紅 |
| GBS-2 | 5.8 | 2.4 | 36 | 16-14 (1.5-2.5) | Blue 藍 |
| GBS-5 | 6.8 | 3.6 | 42 | 12-10 (4.0-6.0) | Yellow 黃 |
| Heat shrinkable ring terminals 圓型熱收縮端子 | | | | | |
| Part Number | Stud Size | Wire Range 線徑範圍 | | Standard Color | |
| 產品型號 | (螺絲孔) | AWG (mm²) | | 標準顏色 | |
| RHS1-4 | # 8 (4.3mm) | 22-16 (0.5-1.5) | | Red 紅 | |
| RHS2-4 | # 8 (4.3mm) | 16-14 (1.5-2.5) | | Blue 藍 | |
| RHS5-5 | # 10 (5.3mm) | 12-10 (4.0-6.0) | | Yellow 黃 | |
| Heat shrinkable spade terminals 叉型熱收縮端子 | | | | | |
| Part Number | Stud Size | Wire Range 線徑範圍 | | Standard Color | |
| 產品型號 | (螺絲孔) | AWG (mm²) | | 標準顏色 | |
| SHS1-4 | # 8 (4.3mm) | 22-16 (0.5-1.5) | | Red 紅 | |
| SHS2-4 | # 8 (4.3mm) | 16-14 (1.5-2.5) | | Blue 藍 | |
| SHS5-4 | # 8 (4.3mm) | 12-10 (4.0-6.0) | | Yellow 黃 | |



Technical Data

| Property | Specification Requirement | Test Method | Typical Value |
|------------------------------|-----------------------------|---------------|---------------|
| Dielectric voltage withstand | AC2500V/60S No breakdown | ASTM D2671 | No breakdown |
| Waterproof level | No leakage | IPX7(1M/1 hr) | Pass |

Standard colors : red, blue, and yellow

標準顏色：紅、藍、黃



Crimp tool recommended: G-APEX P/N CT2005
推薦壓接手工具：G-APEX 型號 CT2005



ELECTRICAL INTERCONNECT HEAT SHRINKABLE TUBING

GAST-E

Solder grip closed end connector splices 防水焊錫環熱縮封帽



Product Dimensions
產品規格

● 應用 Applications

GAST-E是一種焊錫環的閉端封帽，設計用來多線結合的電線終端保護，替代傳統的壓接閉端方式。產品設計以PVDF高耐磨性熱縮管、焊接用的焊錫圈、捲繞電線用的螺旋銅圈、防水用的高性能熱熔膠及末端以易於識別的有色玻璃珠作為封裝組合而成，讓電線終端的組裝變得非常容易及可靠。

GAST-E closed end connector splices are designed for the wire terminal protection of multiple-wire combinations, replacing the traditional crimping closed end method. The product is composed of a PVDF high abrasion resistance heat shrinkable tubing, a solder sleeve for soldering, a spiral copper coil for winding wires, high performance hot melt adhesive for water resistance, and the easy identification colored glass bead for encapsulation. It makes the assembly of wire terminals become very easy and reliable.

● 特性 Characteristics

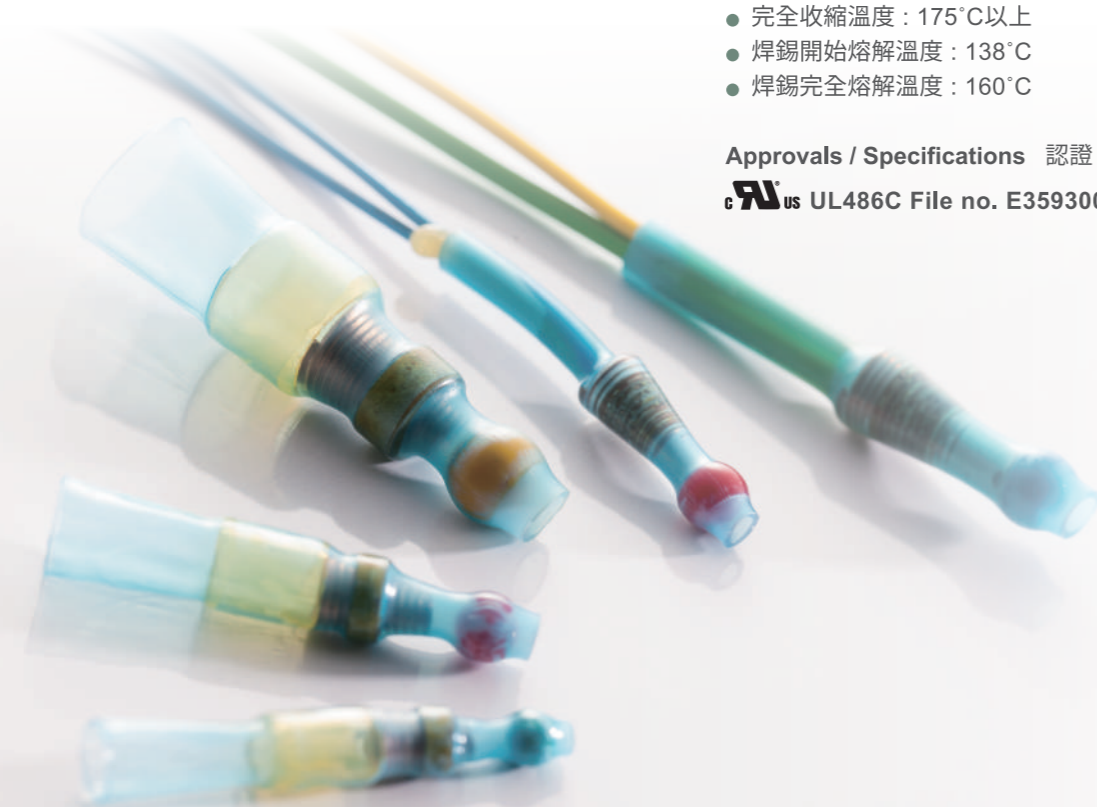
- PVDF耐磨外層
- 優異化學抵抗性能
- 優異絕緣性能
- 阻燃
- Abrasion resistance property of PVDF outer layer
- Excellent chemical resistance
- Excellent insulation performance
- Flame retardant

● 操作溫度範圍 Operating temperature range

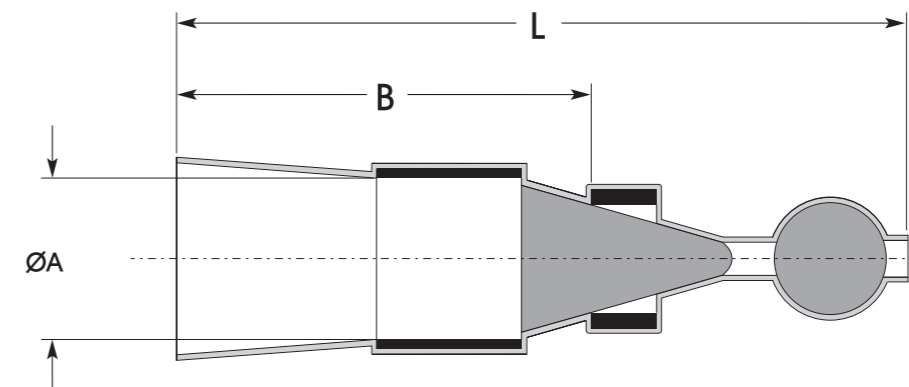
- Continuous operating temperature : -40°C~125°C
- Minimum shrink temperature : 150°C
- Full recovery temperature : Above 175°C
- Starting temperature of solder melting : 138°C
- Full melting temperature of solder : 160°C
- 連續使用溫度 : -40°C~125°C
- 最低收縮溫度 : 150°C
- 完全收縮溫度 : 175°C以上
- 焊錫開始熔解溫度 : 138°C
- 焊錫完全熔解溫度 : 160°C

Approvals / Specifications 認證 / 規範

UL US UL486C File no. E359300



| Part Number 產品型號 | Color Code 色標 | Product Dimensions (mm) 產品規格 | | | Wire Range 線徑範圍 | |
|---------------------|------------------|------------------------------|---------------|----------|-----------------|--------------|
| | | L±3.5 | ΦA | B | Min最小值 (mm²) | Max最大值 (mm²) |
| GAST-E01 | Green 綠 | 38.3 | 3.6 +0.4/-0.2 | 26.0±2.0 | 0.7 | 2.4 |
| GAST-E02 | Red 紅 | 37.7 | 5.0 +0.7/-0.2 | 23.5±2.0 | 2.0 | 4.0 |
| GAST-E03 | Blue 藍 | 45.5 | 7.5 +0.9/-0.2 | 26.5±2.0 | 3.5 | 8.0 |
| GAST-E04 | Yellow 黃 | 45.0 | 9.4 +0.9/-0.3 | 25.5±3.0 | 7.5 | 12.0 |



Technical Data

| Property | Test Method | Typical Value |
|---------------------|-------------|--------------------------|
| Waterproof level | IPX7 | Pass |
| Volume resistivity | ASTM D2671 | ≥10 ¹³ Ω · cm |
| Dielectric strength | ASTM D2671 | 2.0 kV/mm |

Standard colors : green, red, blue, and yellow

標準顏色 : 綠、紅、藍、黃



